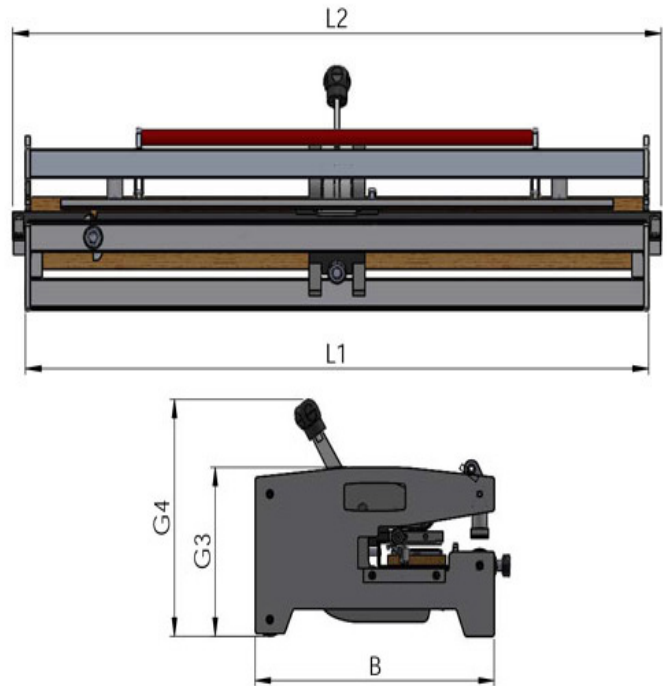
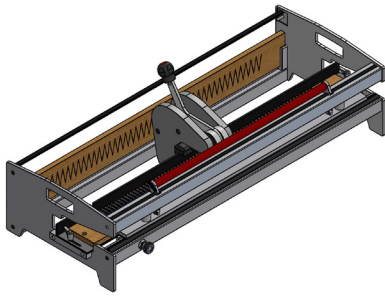


Punching Machine TM

Presses for PVC/PU Conveyor Belts > Belt preparation



Material	Aluminium
Pressure	Manual
Nylon	90x60mm
Blades/Knives	50x20 80x20 70x12 50x20 - 30°

Model	G3 mm	G4 mm	B mm	L1 mm	L2 mm	Head weight Kg	Frame weight Kg	Total weight Kg
TM 300	241	338	410	478	520	6.8	12.7	19.5
TM 600	241	338	410	838	880	6.8	13.7	20.5
TM 800	241	338	410	1038	1080	6.8	14.7	21.5
TM 1000	241	338	410	1294	1336	6.8	15.7	22.5

The technical data shown are subject to change without notice.